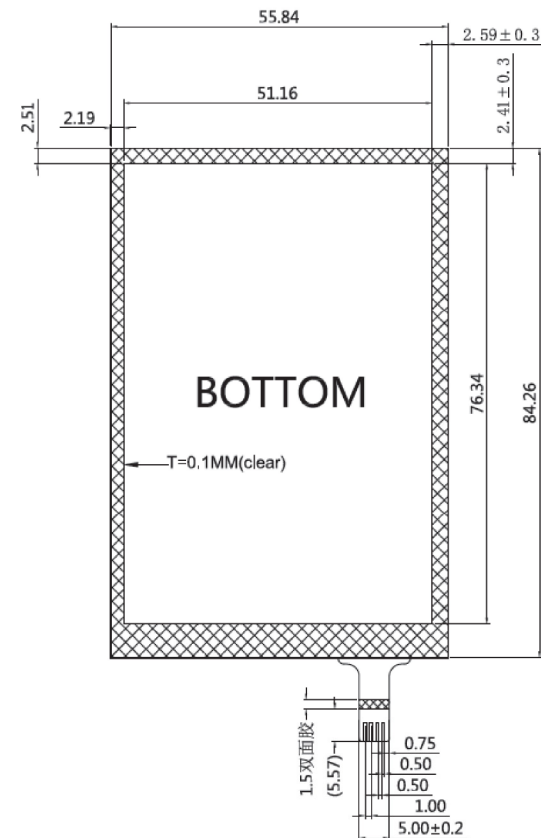
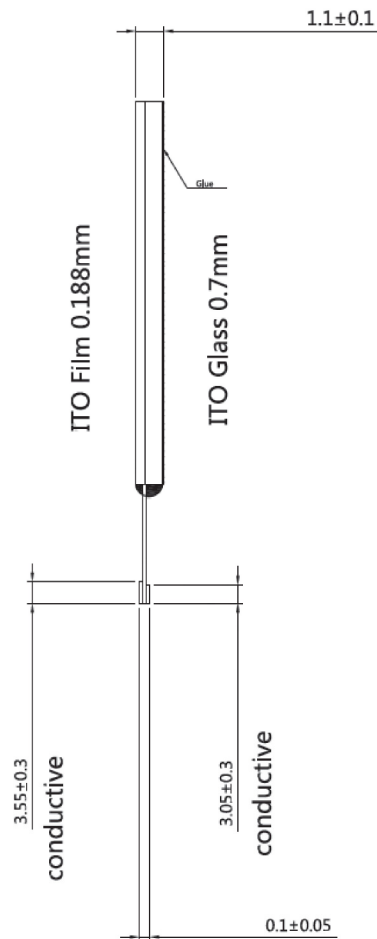
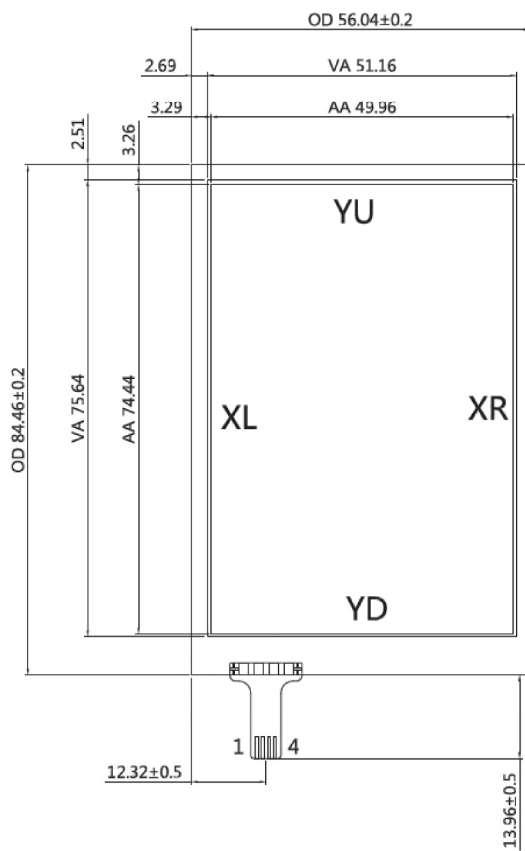


VERSION NUMBER:

A



note :

- 1.Construction : film+glass+tail
ITO film:clear 350-450Ω/□ (0.188mm)
ITO glass:500Ω/□ (0.7mm)
tail:FPC (pitch=1mm)
Thickness : 1.1±0.1
- 2.Max voltage : DC3-15V 1mA
3. Insulation resistance : ≥20MΩ(25V DC)
- 4.Linearity : ≤1.5%
- 5.Optical characteristics : ≥80%
- 6.Operation force : <60g
- 7.Tapping durability : ≥1,000,000次
- 8.Pen sliding durability : ≥100,000次
- 9.Operating temperature & Humidity : -20°C~+70°C , ≤90%RH ,
- 10.Storage temperature & Humidity : -30°C~+80°C , ≤90%RH
- 11.Hardness:3H
- 12.Chattering Time:<10ms,
- 13.Terminal resistance:X:250-500Ω,Y:300-800Ω
- 14.TOLERANCE±0.20mm

Pin No.	Symbol
1	YU
2	XL
3	YD
4	XR

TVI Electronics, LLC		CD
	UNIT: MM	SIZE: A4
	SHEET: 1 OF 1	
Part Number: TSR-035-4W		REV: A0
DRAWN BY: JIM	CHECKED BY : JAVEN	APPROVED BY : 1:1