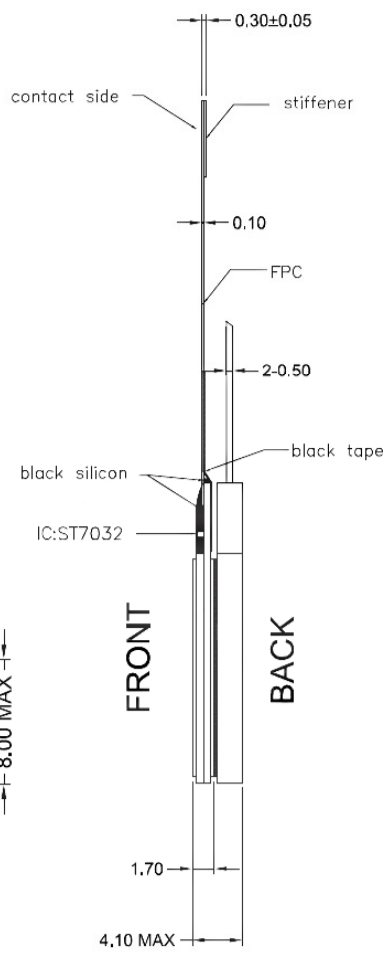
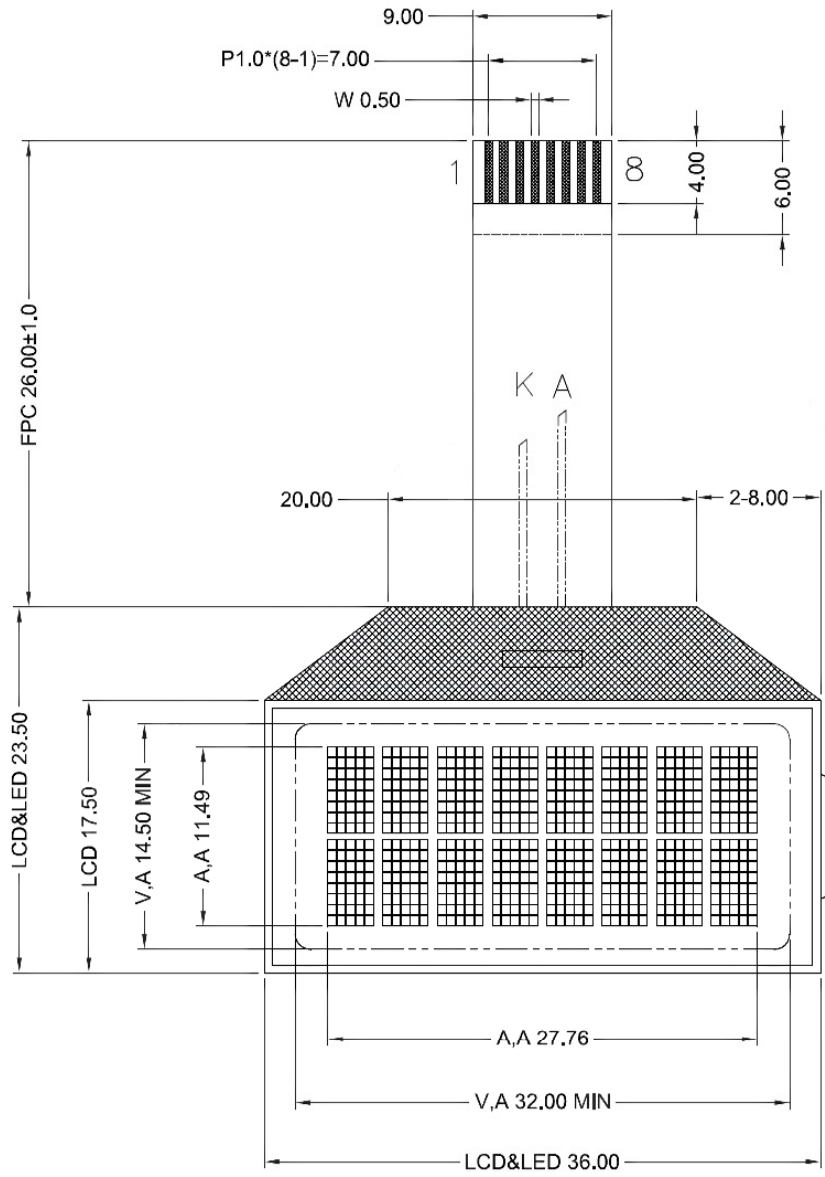
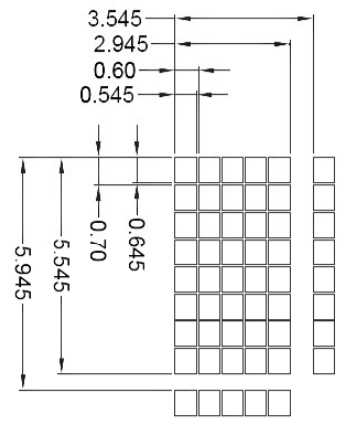


Customer: _____ Customer NO.: _____ Customer Approve By: _____

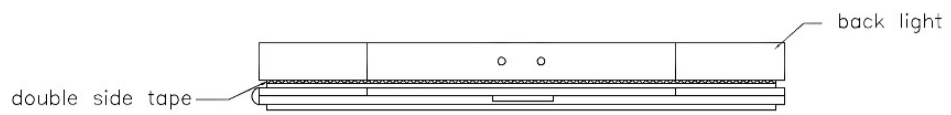
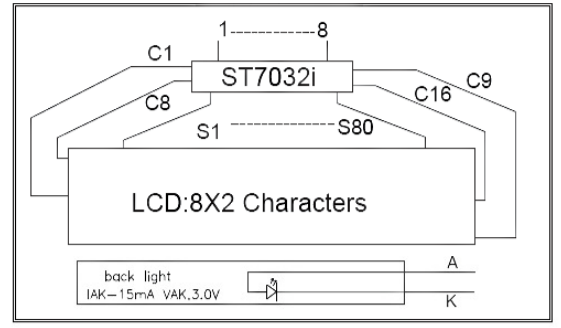
REV.	DESCRIPTION OF MODIFY	MODIFY BY	DATE
A0	1'ST_DESIGN	WSL	Mar-08-2011
A1	Modify backlight A,K position	Jim	OCT-08-2011
A2			



PIN	1	2	3	4	5	6	7	8
NAME	RST	SCL	SDA	VSS	VDD	CAPP	CAPN	VLCD



SCALE: 4/1



<h1>TVI Electronics, LLC</h1>		CD
	UNIT: MM	SIZE: A4
	SHEET: 1 OF 1	
LCM PART NUMBER: TCL12G-0802 Series		REV: A2
DRAWN BY :	CHECKED BY :	APPROVED BY :