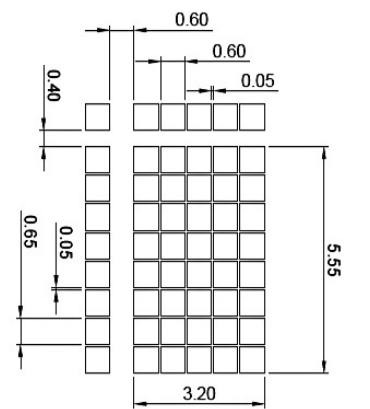
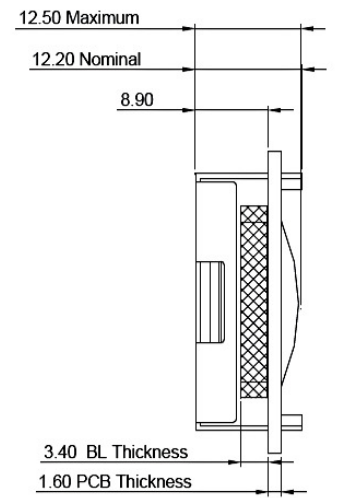
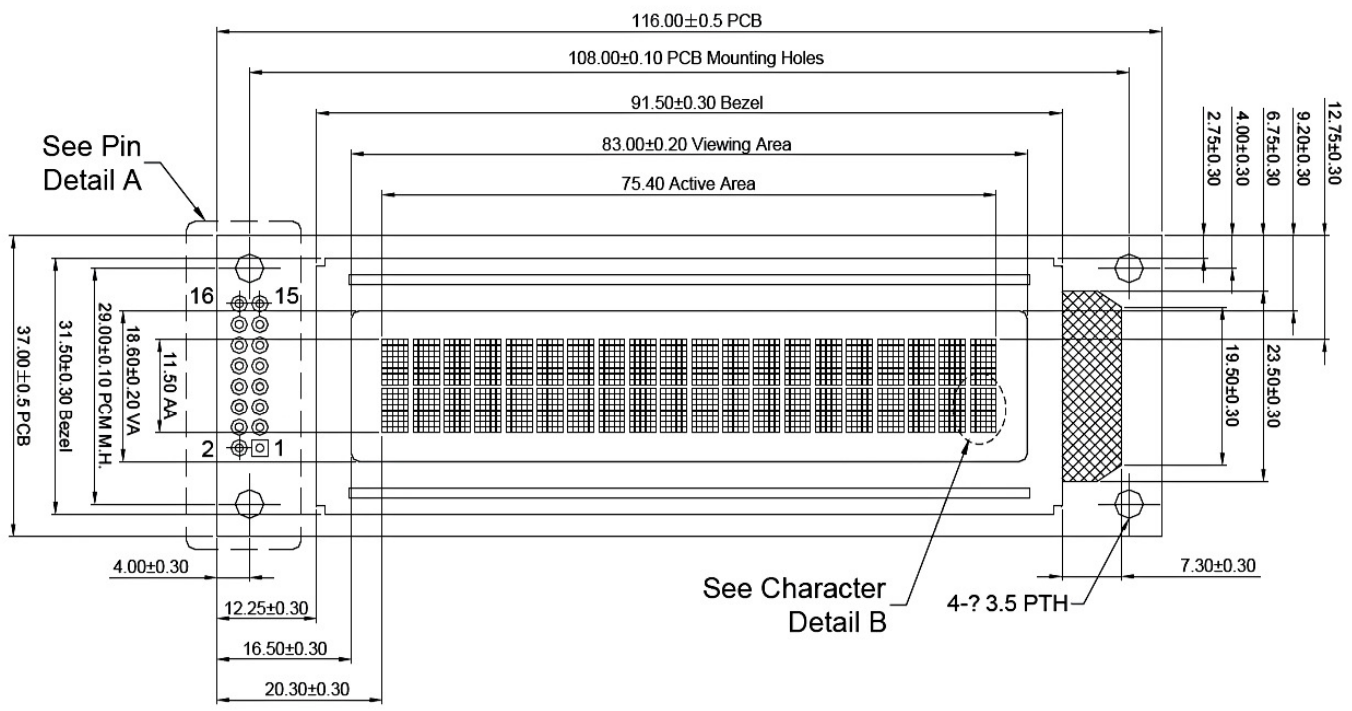
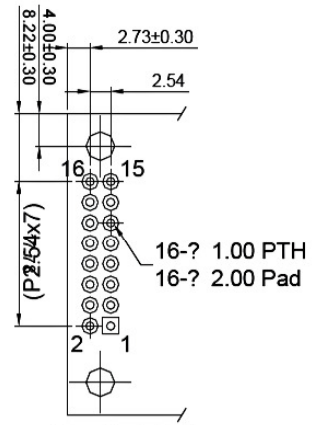


All Pages Of This Edition Approved

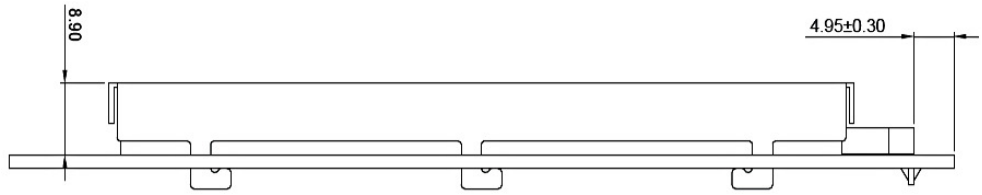
Signature: \_\_\_\_\_ Date: \_\_\_\_\_



Character & Pixel Detail B



Pin Detail A



# TVI Electronics, LLC

Unspecified Tolerance:	±0.30	UNITS: mm	DATE:	MODEL NUMBER :		SHEET:	1 Of 1
DESIGN BY:	Jim	2010.08.25	TCL30B-2002 Series	DATE:		2010.08.25	
CHECKED BY:	liucheng	2010.08.25	DO NOT SCALE THIS DRAWING.	PROJECTION			
APPROVED BY:							