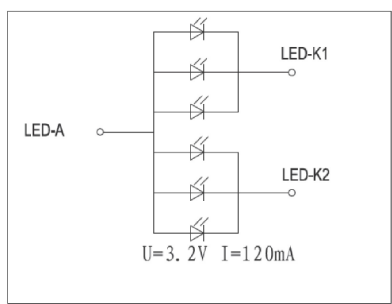
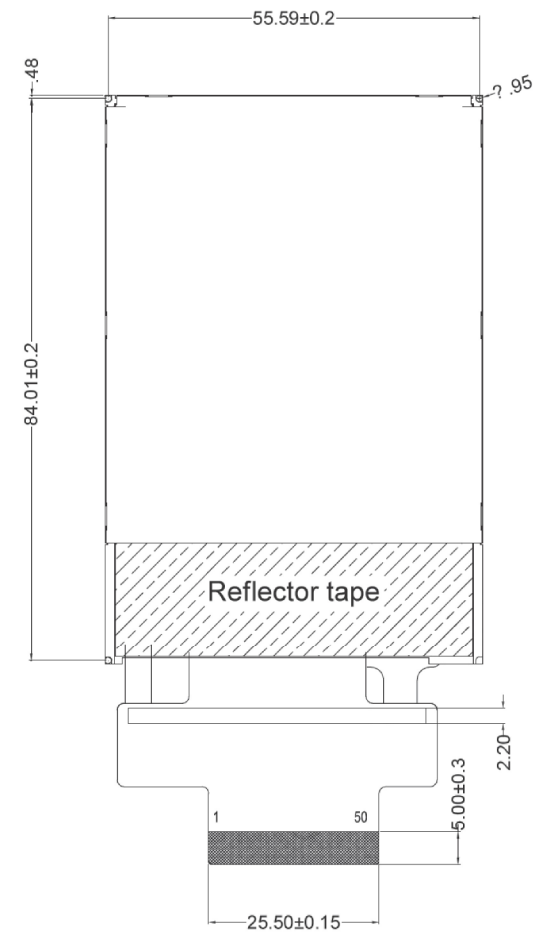
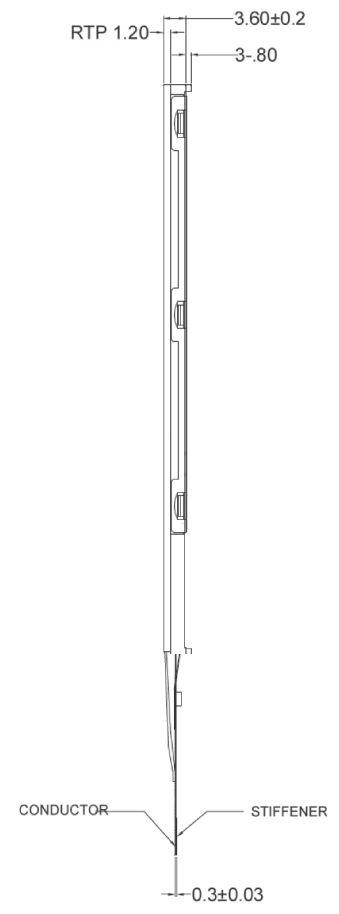
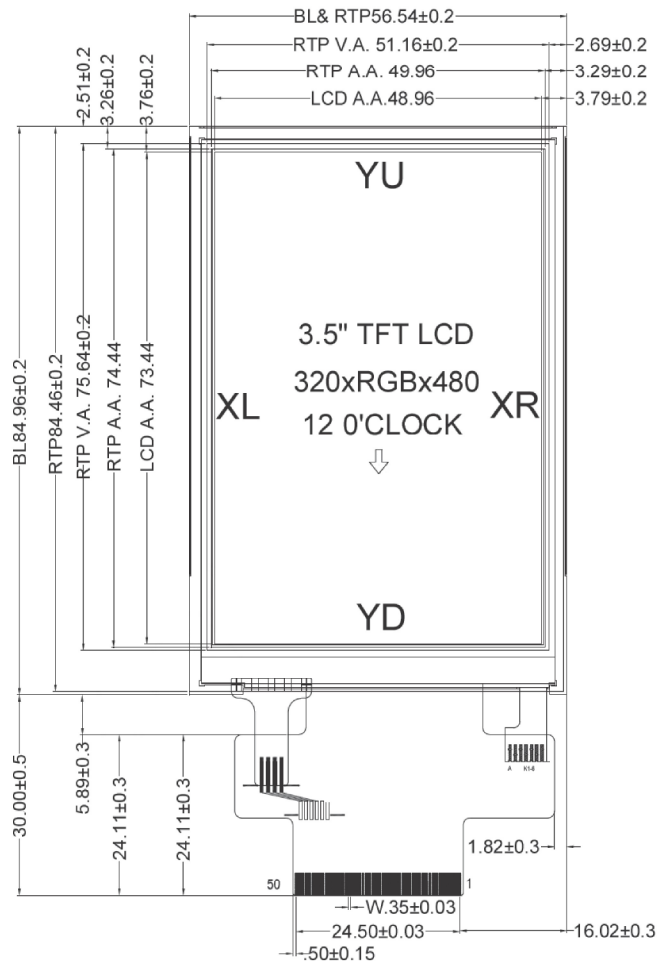


REV	DESCRIPTION	DESIGN	DATE
A	1'ST DEGIN	JAVEN	Dec-01-2015



- Remark
1. RTP is the short for Resistive Touch Panel.
  2. BL is the short for LED Backlight.
  3. VA is the short for Visual Area.
  4. AA is the short for Active Area .

# TVI ELECTRONICS, LLC

APPROVALS	DATE	MODEL NUMBER :		GENERAL TOL.	UNITS
APP		TTL35G-320480W		SCALE:	MM
CHK				N.T.S.	
DWN	JIM	Dec-01-15	DO NOT SCALE THIS DRAWING.	SHEET:	1