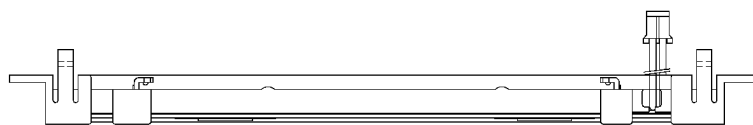
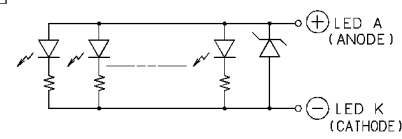


ISSUE	REVISIONS	DRAWN	DATE
1	LABEL PASTING POSITION MODIFY	KaiZhu	May.20'10



CIRCUIT DIAGRAM



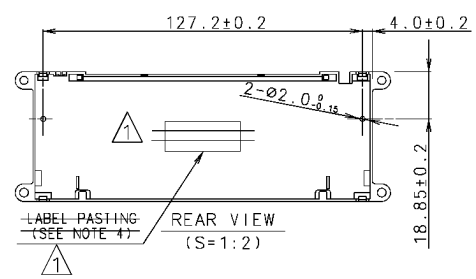
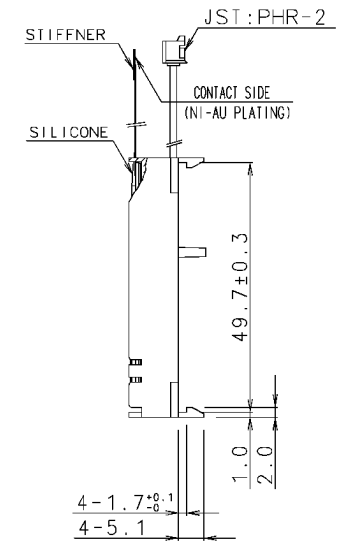
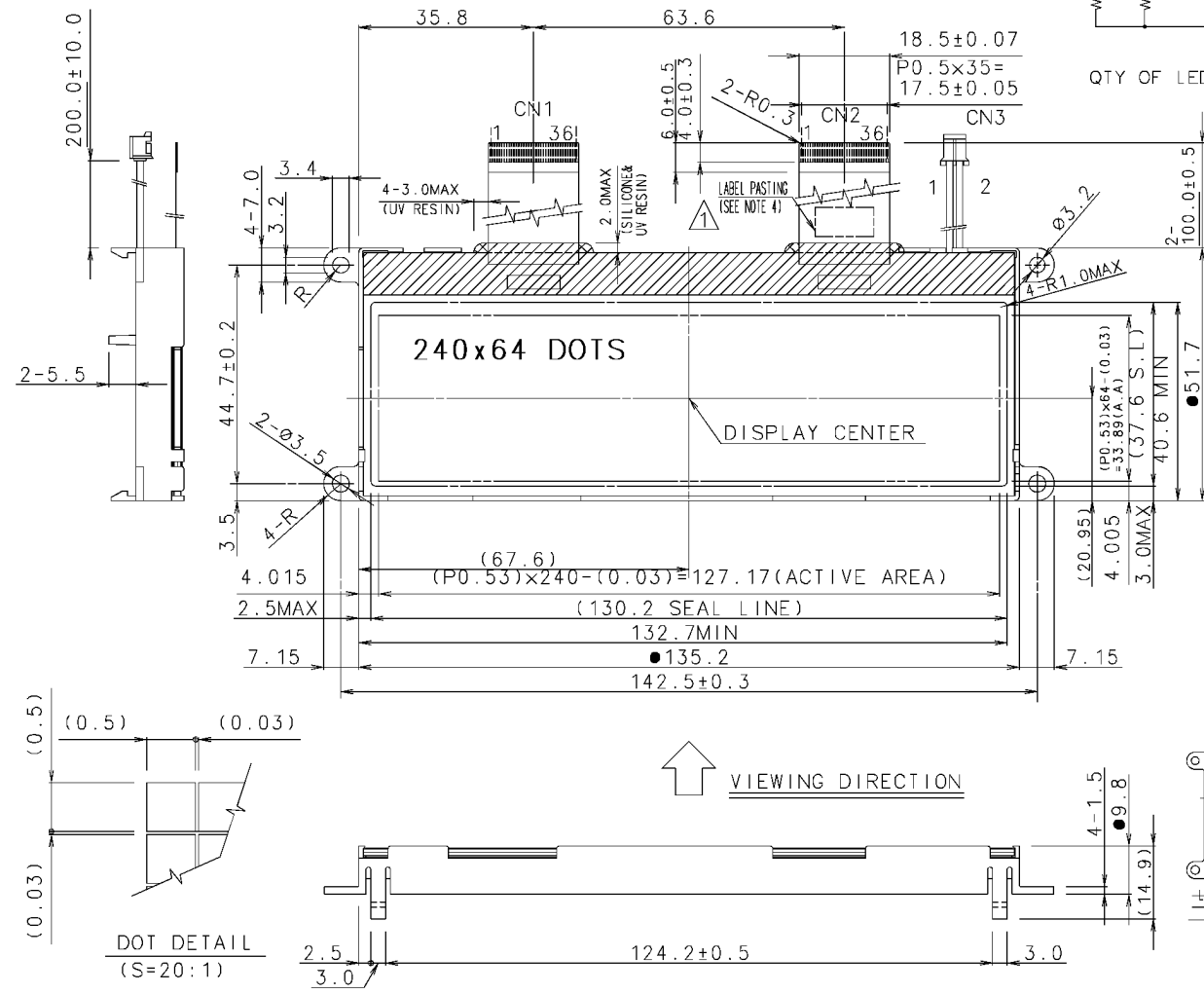
QTY OF LED CHIPS: 7CHIPS

PIN ASSIGNMENT

CN1 MASTER (IC1)		CN2 SLAVE (IC2)	
No.	SYMBOL	No.	SYMBOL
1	NC	1	NC
2	FR	2	FR
3	CL	3	CL
4	DOF	4	DOF
5	CS1	5	CS1
6	CS2	6	CS2
7	RES	7	RES
8	A0	8	A0
9	WR	9	WR
10	RD	10	RD
11	D0	11	D0
12	D1	12	D1
13	D2	13	D2
14	D3	14	D3
15	D4	15	D4
16	D5	16	D5
17	D6	17	D6
18	D7	18	D7
19	VDD	19	VDD
20	VSS	20	VSS
21	VOUT	21	VOUT
22	C4+	22	C4+
23	C3+	23	C3+
24	C1-	24	C1-
25	C1+	25	C1+
26	C2+	26	C2+
27	C2-	27	C2-
28	V1	28	V1
29	V2	29	V2
30	V3	30	V3
31	V4	31	V4
32	V0	32	V0
33	VR	33	VR
34	C86	34	C86
35	P/S	35	P/S
36	IRS	36	NC

CN3	
No.	SYMBOL
1	ANODE
2	CATHODE



TOLERANCE		
MEASURE	A	B C
L ≤ 16	±0.1	±0.3 ±1
16 < L ≤ 63	±0.2	±0.5 ±1.5
63 < L ≤ 250	±0.3	±0.8 ±2
250 < L ≤ 500	±0.5	±1.2 ±3
500 < L	±0.8	±2 ±4
ANGLE	±1°	±5° ±10°

NOTE

- ⊙ MARK SETTING DIMENSIONS: SPECIAL CHARACTERISTICS.
- HATCHED AREA ON LCD TERMINAL LEDGE SHOWS MAXIMUM AREA OF SILICON RESIN.
- VIEWING DIRECTION: DIRECTION THAT YOU CAN SEE THE DISPLAY MOST CLEARLY.
- LABEL PASTING PRINT NOTE:  
MODULE CODE, Lot NO, MADE IN \*\*\*.

5. DO NOT USE THE MATERIALS PROHIBITED BY RoHS.

MATERIAL:		FINISH:	
DATE 2010/05/25	THIRD ANGLE PROJECTION		
APPROVED Noboru Wada	SCALE UNIT		
CHECKED Masami Motohashi	DATE Jun. 05 '09	TITLE DIMENSIONAL OUTLINE	
DRAWN Kai Zhu	DSCN KaiZhu	DWG NO.(CODE) F-55471AC base	DWG SIZE A3
		DWG REV A	