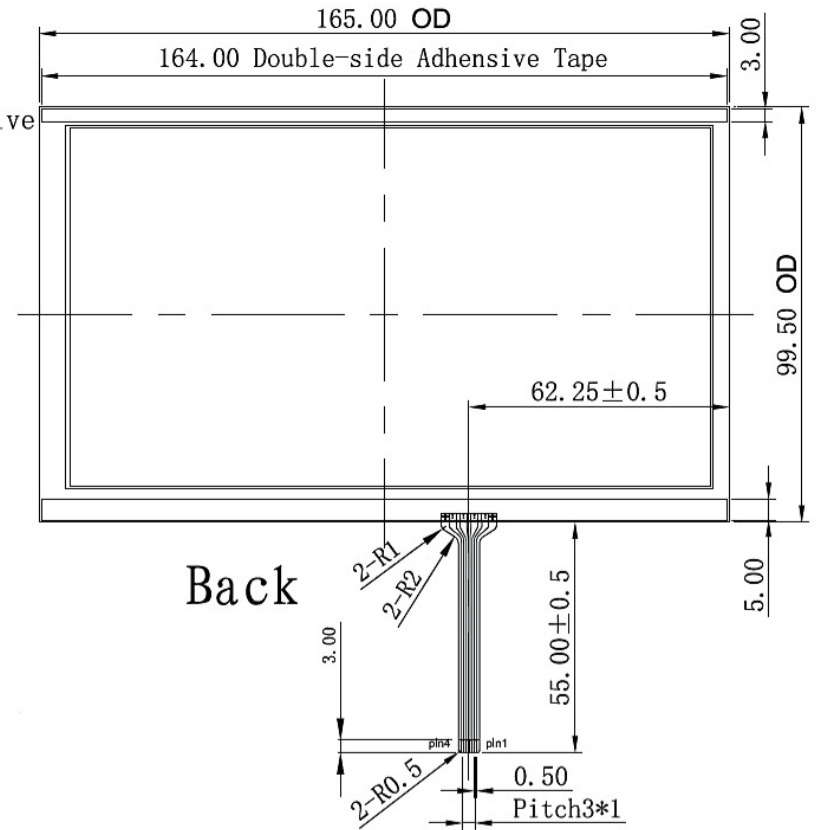
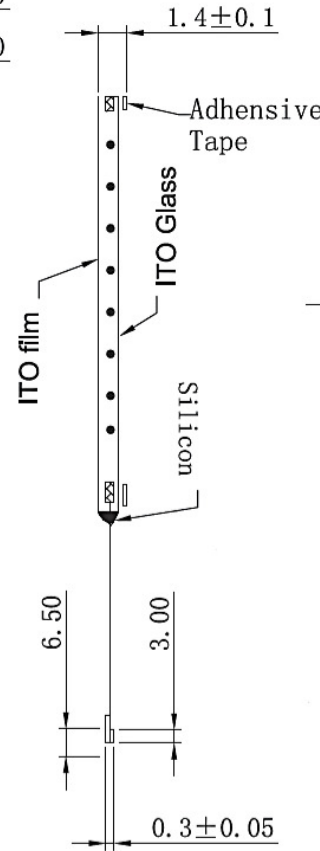


Front



Back

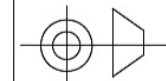
Note:

1. Structure: film+glass+FPC
 Film: Bright screen (0.188mm)
 Glass: 500Ω/□ (1.1mm)
 Tail: FPC (pitch=1.0mm)
2. Operating voltage: 5.0V
3. Voltage: DC5V 1mA
4. Insulation resistance: ≥20MΩ (25V DC)
5. Linearity: ≤1.5%
6. Transmittance: ≥75%
7. Operation force: 20-100g
8. Life time: ≥1,000,000
9. Operating temp: -10°C~+60°C, ≤90%RH
10. Storage temp: -20°C~+70°C, ≤90%RH
11. X: 400-950Ω Y: 100-500Ω
12. Tolerance ±0.20

PIN	OUT
1	X-
2	Y-
3	X+
4	Y+

TVI Electronics, LLC

MODEL NUMBER :
TSR-070-4W



GENERAL TOL.	UNITS MM
SCALE: N.T.S.	
SHEET:	1

DO NOT SCALE THIS DRAWING.

PROJECTION