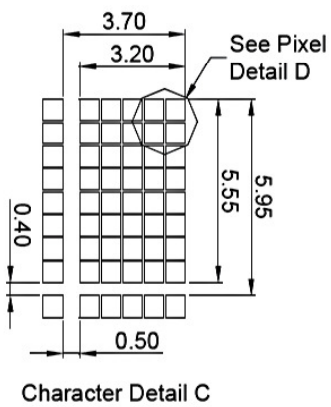
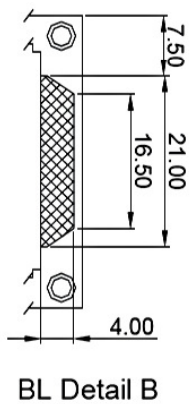
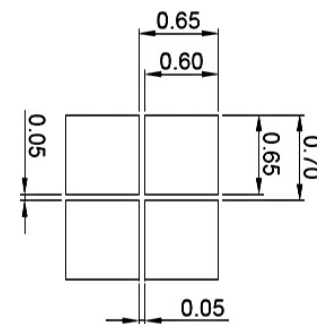
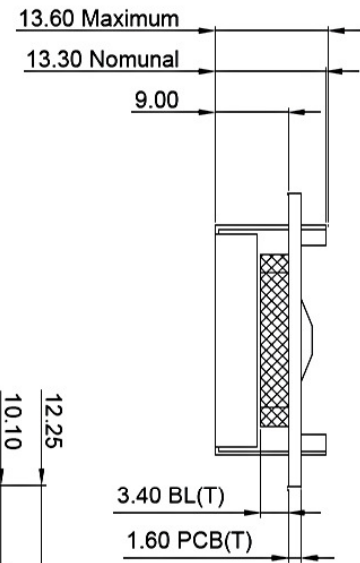
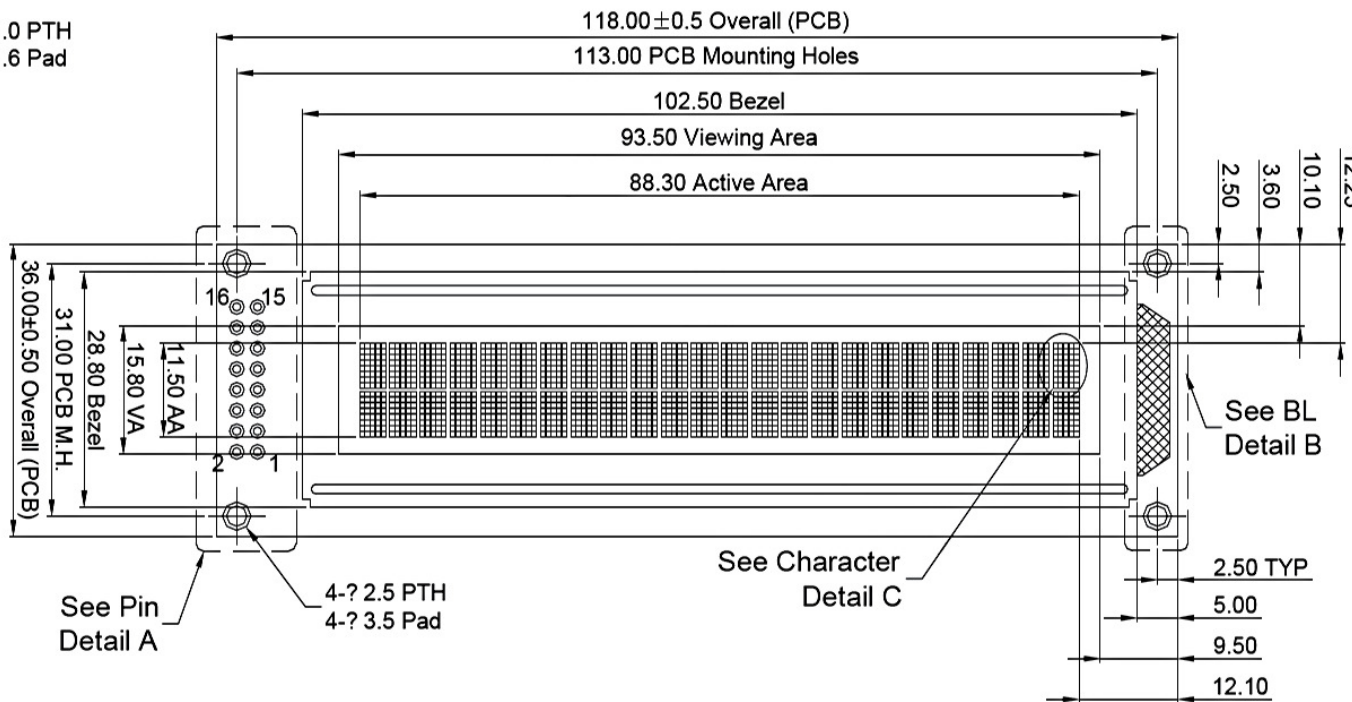
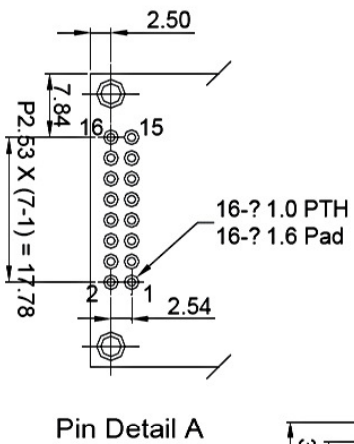


Signature: _____ Date: _____



Note: Tolerance is ± 0.3 mm unless specified.

TVI Electronics, LLC

Unspecified Tolerance:	± 0.30	UNITS: mm	DATE:	MODEL NUMBER :		SHEET:	1 Of 1
DESIGN BY:	Jim	2010.08.25	MODEL NUMBER :	TCL35B-2402 Series		DATE:	2010.08.25
CHECKED BY:	liucheng	2010.08.25	DO NOT SCALE THIS DRAWING.	PROJECTION			
APPROVED BY:							