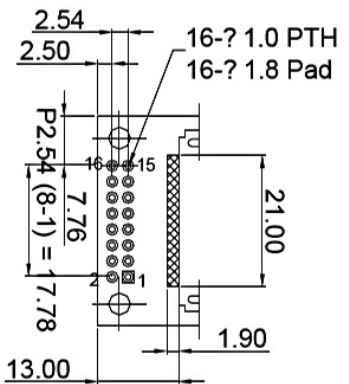
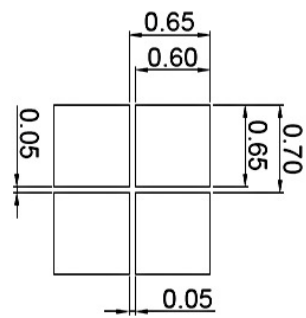
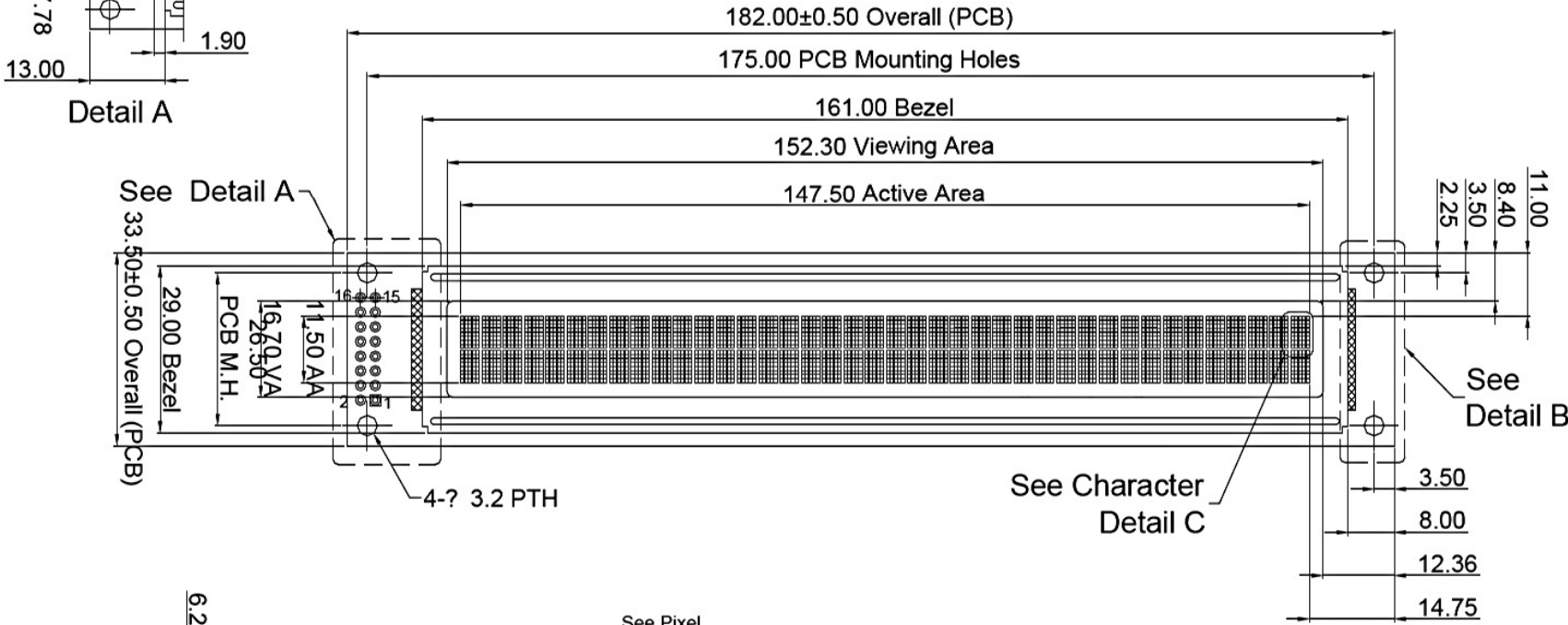
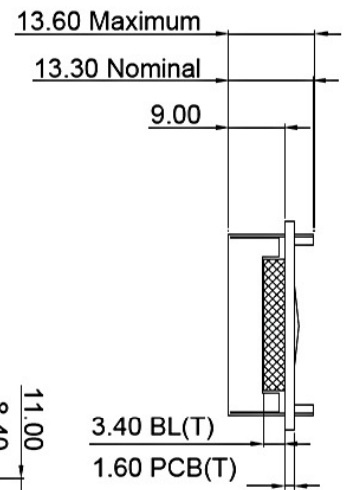


Customer: _____ Customer NO.: _____ Customer Approve By: _____

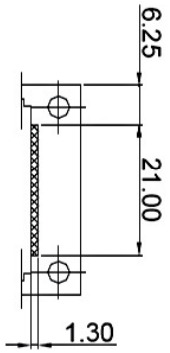
REV.	DESCRIPTION OF MODIFY	MODIFY BY	DATE
A0	1 ST ,DESIGN	JIM	2008.05.09



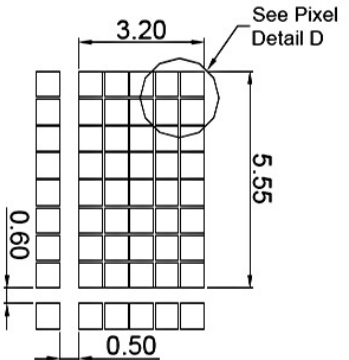
Detail A



Pixel Detail D



Detail B



Character Detail C

Note: Tolerance is ±0.3 mm unless specified.

TVI Electronics, LLC

Unspecified Tolerance: ±0.30	UNITS: mm	DATE: 2010.08.25	MODEL NUMBER : TCL58B-4002 Series		SHEET: 1 Of 1
DESIGN BY: Jim	liucheng	2010.08.25	DO NOT SCALE THIS DRAWING.		DATE: 2010.08.25
CHECKED BY:			PROJECTION		
APPROVED BY:					